

Limit Switch Box APL-2N Series

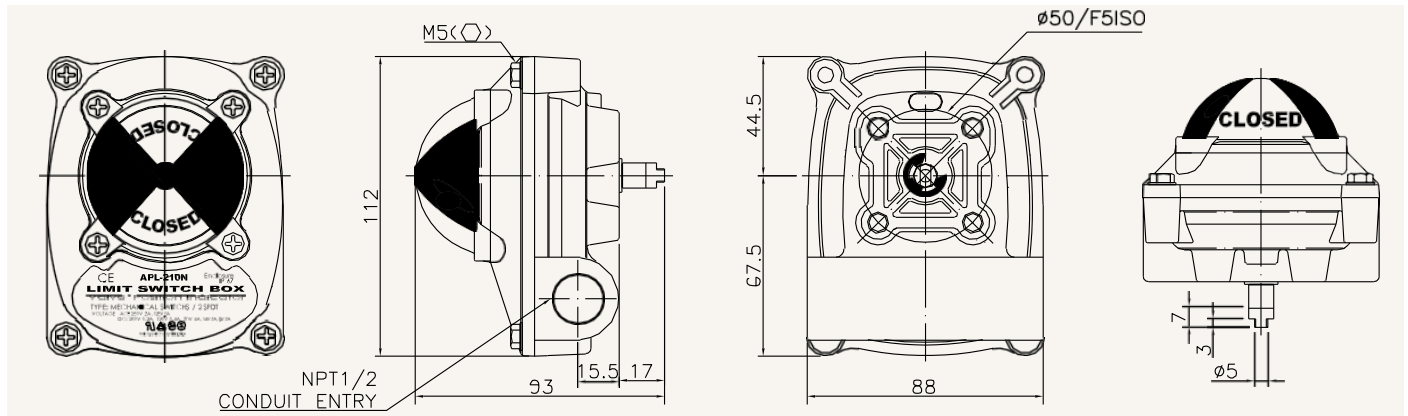
MANUAL



MODEL:APL - 2N

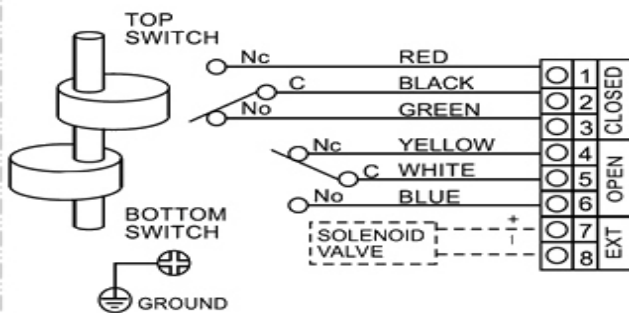
- Enclosure : Weatherproof IP67/NEMA4&4X (Standard)
- Solid and compact design
- Bolts on visual position indicator
(Re-adjustment available upon required direction)
- Dual cable entries : 2 x 1/2 NPT(Standard)
M20, PG13.5, PF1/2", PT1/2".(Option)
- Terminal Strips : 8 points(0.08-2.5m)
- Captive cover bolts
- Easy mounting bracket
NAMUR standard stainless steel shaft and bracket.(304 bracket option)

APL 2N Series Dimension

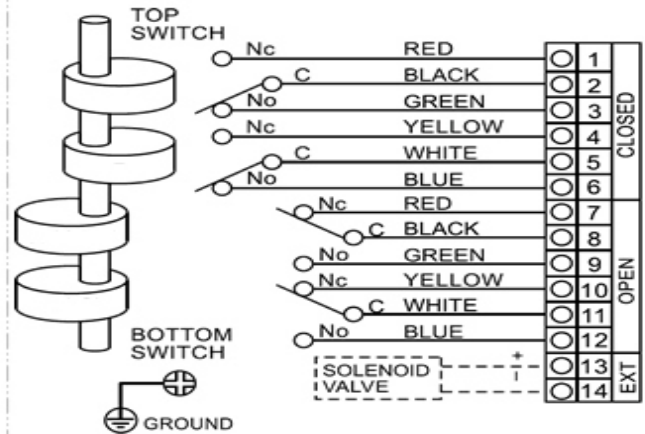


Connections

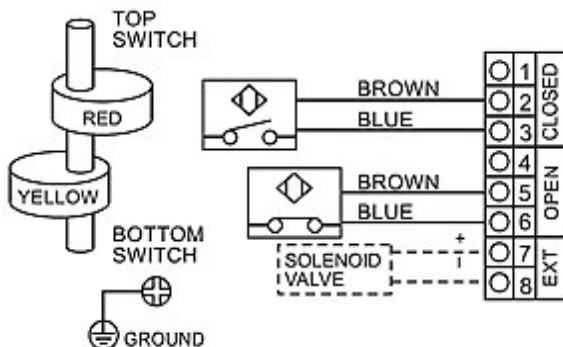
2SPDT Mechanical Type



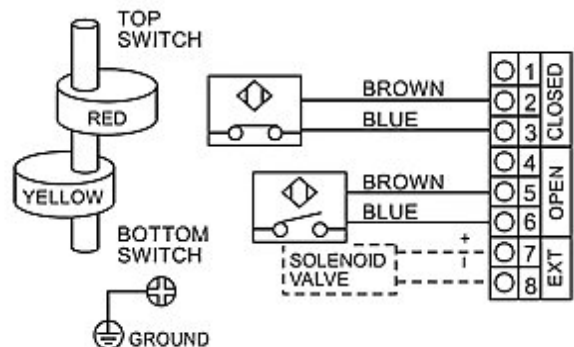
4SPDT Mechanical Type

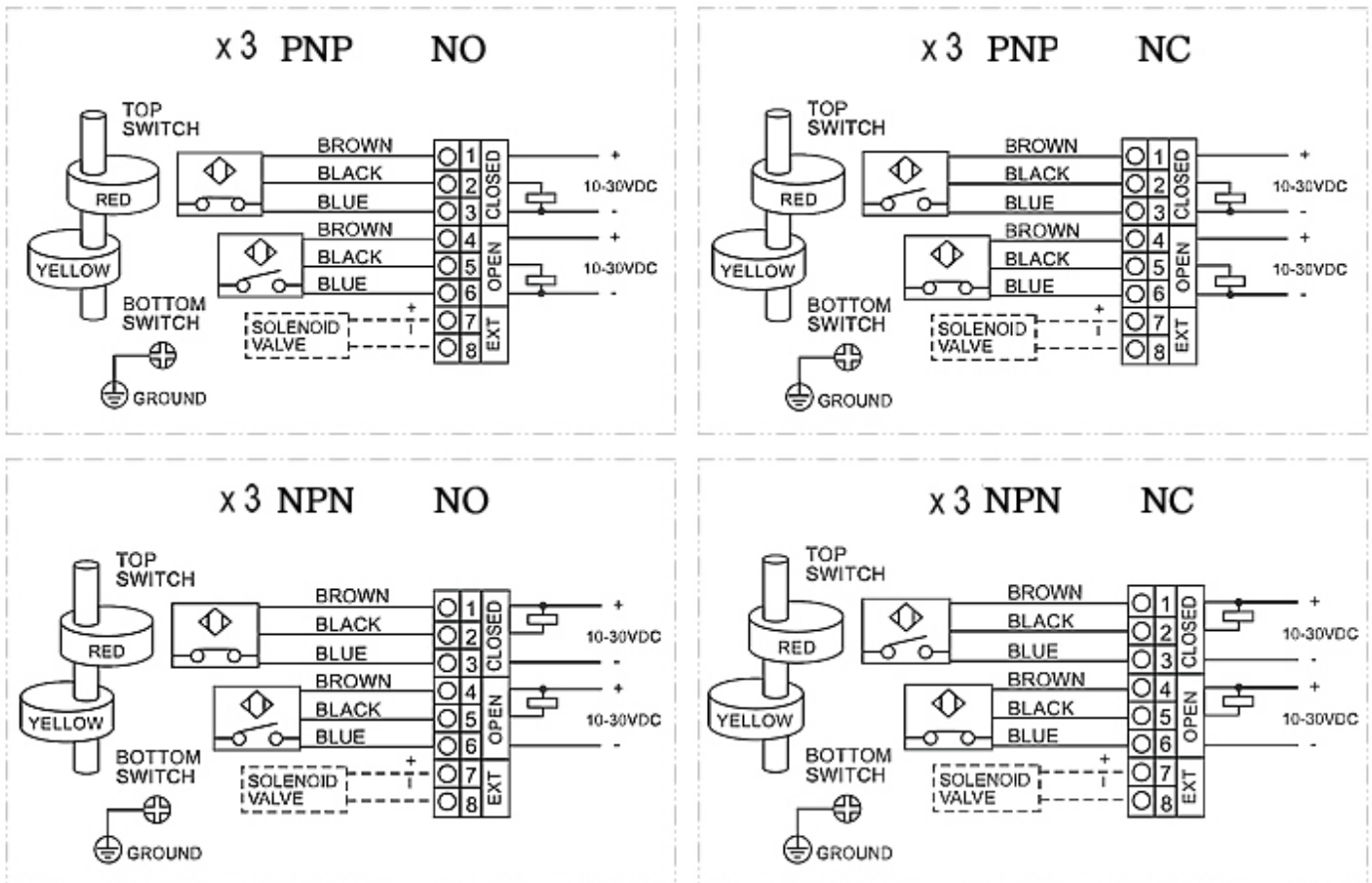


x 2, NPN type NC



x 2, NPN type NO





Product Code

APL-210N Standard Configuration: 2SPDT, Silver contact micro switch.

APL-210N High Configuration: 2SPDT, Omron micro switch.

APL-220N Inductive proximity sensor x 2.

Inductive proximity Sensor Optional Configuration: APL220N (X2-NPN-NC, DC24V; X2-NPN-NO, DC24V; X2-NPN-NC, 8.2VDC; APL-220N P+F NJ2-V3-N 8.2VDC; APL-223N P+F NBB2-V3 NO 24VDC; X3-NPN, X3-PNP)

Packing List

1. Limit Switch, 1PCS;
2. Dust Cover, 1 SET;
3. Waterproof connector, 1PCS (or bellows joints);
4. Mounting bracket, 1SET, Standard configuration carbon steel paint bracket. (Harsh working environment, optional 304 stainless steel bracket)
5. Manual, 1PCS.



Packing Weight: 700g; Size: 130x100x110mm;

Warranty: 12 months;

- This Product is non-explosion proof and cannot be used in explosive areas.
- Check the unit's specification and ensure to use as specified.
- Any input or supply pressures to valve, actuator, or to other related devices must be turned off.
- Use bypass valve or other supportive equipment to avoid entire system "shut down"



Designed in Korea, assembled in China
Customer code:HIYAMECH-OEM
Sales platform: www.mechmall.com