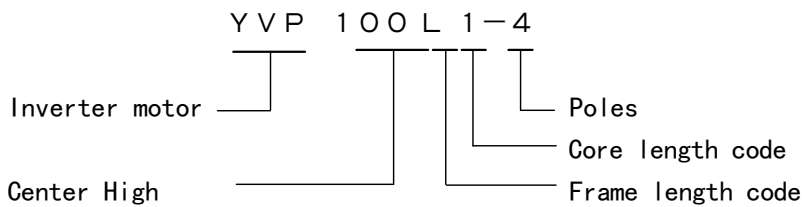


YVP series variable frequency adjustable speed motor is a kind of AC, high efficiency, energy saving adjustable speed motor. It is a new product of mechatronics with frequency converter.

**Features:**

1. High efficiency and energy saving
2. In the frequency modulation range, it can smoothly adjust the speed in the range of 5Hz ~ 100Hz or even wider.
3. Low noise and small vibration.
4. The starting torque is large and the impact of low frequency starting on load is small.
5. Simple structure, stable operation (especially at low frequency), reliable operation and convenient maintenance.
6. Small size, light weight, easy to install. The hood is slightly longer than Y series motor, but other sizes and installation dimensions are the same.
7. The starting current is small and no additional starting equipment is needed
8. It has good cooling effect under different rotating speed with an axial fan.
9. Wide range of applications can be used for any kind of speed regulation products.

**Model Description:**

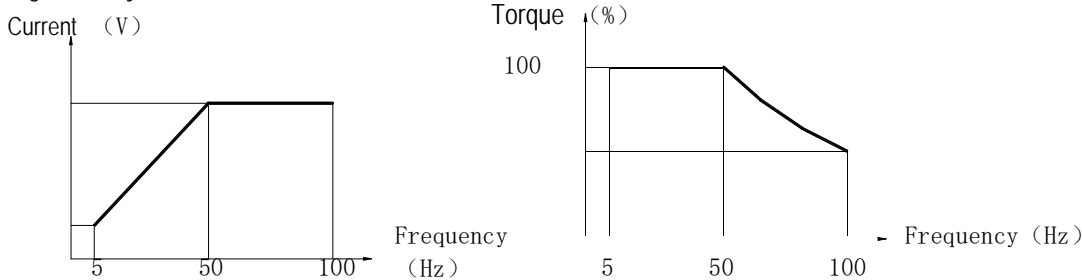


**Technical Data:**

Power (kW)	4Pole				6 Pole				Match Inverter Capacity (kVA)
	Frame	Rated Torque (N.m)	Current (A)	Weight (Kg)	Frame	Rated Torque (N.m)	Current (A)	Weight (Kg)	
0.55	801	3.5	1.8	19					0.75
0.75	802	4.7	2.3	20	90S	7.0	2.5	24	1.1
1.1	90S	7.0	3.0	24	90L	10.5	3.5	27	1.5
1.5	90L	9.5	4.1	27	100L	14.0	4.4	36	2.2
2.2	100L1	14.0	5.5	37	112M	21.0	6.1	50	3.0
3	100L2	19.0	7.5	41	132S	28.5	7.9	72	4.0
4	112M	25.0	9.6	54	132M1	37.5	10.3	83	5.5
5.5	132S	35.0	12.7	74	132M2	52.5	13.8	91	7.5
7.5	132M	47.7	17.0	88	160M	71.0	18.7	128	11
11	160M	70.0	24.8	135	160L	105.0	27.0	153	15
15	160L	95.4	32.0	153	180L	142.5	34.6	196	18.5
18.5	180M	117.5	37.7	189	200L1	176.0	39.6	255	22
22	180L	140.0	44.5	209	200L2	210.0	46.8	275	30
30	200L	190.0	59.6	280	225M	285.5	62.5	335	37
37	225S	235.0	73.2	332	250M	352.5	75.6	433	45
45	225M	286.0	88.4	360	280S	429.0	89.6	560	55
55	250M	350.0	107.6	450	280M	525.0	110.0	620	75
75	280S	477.0	146.6	605	315S	714.8	148.1	900	93
90	280M	572.5	172.5	705	315M1	857.7	177.5	1100	110

Power (kW)	4Pole				6 Pole				Match Inverter Capacity (kVA)
	Frame	Rated Torque (N.m)	Current (A)	Weight (Kg)	Frame	Rated Torque (N.m)	Current (A)	Weight (Kg)	
110	315S	699.6	211.1	940	315M2	1048.3	215.3	1160	132
132	315M1	839.5	252	1070	315M3	1258	258.3	1170	160
160	315M2	1017.6	303.5	1120	355M1	1524.8	315	1670	187
160	315L1	1017.6	303.5	1250					187
185	315L	1176.6	350.7	1255	355M2	1763.1	363.3	1760	200
200	315L2	1272	379.1	1260	355M3	1906	392.7	1830	220
220	355M1	1399.2	426.3	1800	355L1	2096.6	429.5	1960	250
250	355M2	1590	483	1880	355L2	2382.5	488.3	2070	280
280	355L1	1780.8	539.7	1940					315
315	355L2	2003.4	604.8	2020					375

Characteristics of speed regulation system



Note:

1. The more reasonable V-F characteristics should be selected when the system is running.
2. The voltage needs to be compensated to increase the torque at low frequency when the motor is operated under the condition of V/f control with constant torque output.

**Technical parameters of supporting cooling axial fan**

Frame number	80	90	100	112	132	160	180	200	225	250	280	
Fan power (W)	18	25	30	30	65	65	120	120	180	250	550	
Fan current (A)	0.11	0.17	0.09	0.09	0.18	0.18	0.40	0.40	0.55	0.70	1.40	
Fan voltage (V)	220V single-phase			380V three-phase								
Frequency (Hz)	50											

**Operating conditions of YVP series variable frequency motor**

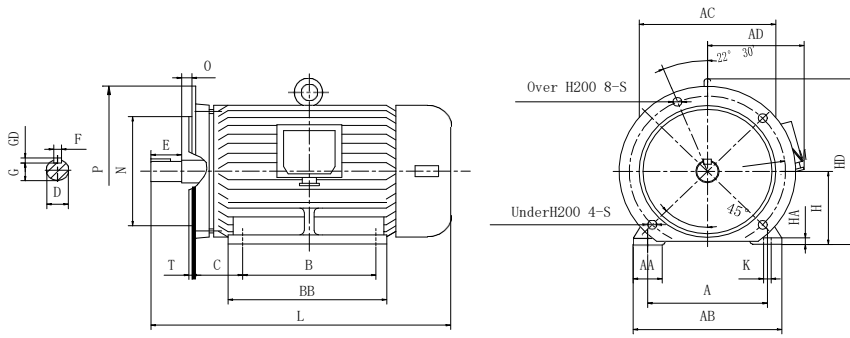
- 1 The ambient temperature is not more than -15 to +40 °C;
- 2 The altitude is below 1000m;
- 3 The motor protection class is IP55
- 4 The rated voltage is 380 (220): V + 10%
- 5 The working system is continuous S1
- 6 The insulation grade is F
- 7 The rated frequency is 50Hz

**Order notice:**

1. The data provided in this sample is for user's reference only, the specific data is allowed to be changed, please contact us before ordering;
2. When ordering, please indicate the motor product model, power, voltage, frequency, and installation structure type.

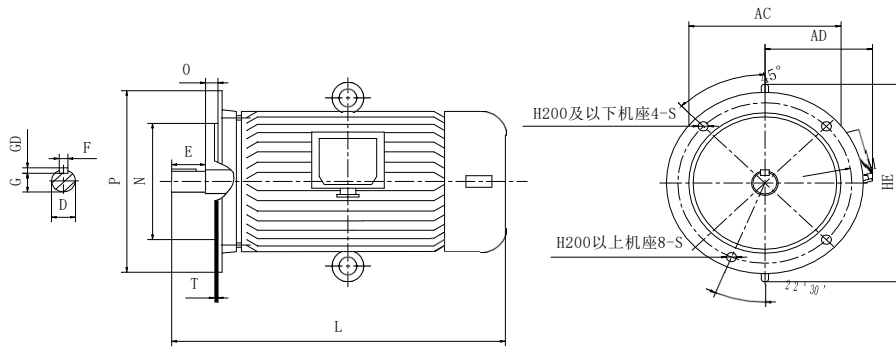


2 The base has feet and the end cover has flanges (IMB35、IMV15、IMV36)



Frame	Installation Size														Dimensions							
	H	A	B	C	D	E	F×GD	G	K	T	M	N	P	S	AB	AC	AD	HD	AA	BB	HA	L
80	80	125	100	50	19	40	6×6	15.5	10	3.5	165	130	200	$\phi$ 12	185	175	150	175	38	135	12	350
90S	90	140		56	24	50	8×7	20							40	215	180	250	195			
90L			125	70	28	60		24	12	4	265	230	300	280						275	210	315
100L	100	160	140	63	28	60	10×6	33	12	4	215	180	250	$\phi$ 15	205	215	180	245	45	180	16	430
112M	112	190		70											24	20	245	245	190	265	55	185
132S	132	216	178	89	38	80	10×8	33	12	4	265	230	300	$\phi$ 15	280	275	210	315	65	205	20	570
132M				245	245	190	265	55												185		
160M	160	254	210	108	42	12×6	37	15	15	300	250	350	$\phi$ 19	330	335	265	385	75	275	22	660	
160L			254	106															42			12×6
180M	180	279	241	121	48	110	14×9	42.5	15	300	250	350	$\phi$ 19	355	360	285	430	75	315	24	850	
180L			279																121			48
200L	200	318	305	133	55	140	16×10	49	5	350	300	400	$\phi$ 19	395	400	315	475	83	378	27	960	
225S	225	356	286	149	60		16×11	53						19	400	350	450		435			450
225M			311	149	60	16×11	58	5	400	350	450	435	450	345	530	83	407	27	1080			
250M	250	406	349	168	65	140	18×11	58	5	490	495	385	575	88	490	495	385	575	88	458	33	1200
280S	280	457	368	190	75		20×12	67.5														
280M			419	190	75	20×12	67.5	24	500	450	550	550	555	410	640	93	586	38	1400			
315S	315	508	406	216	80	170	22×14	71	28	6	600	550	660	$\phi$ 24	628	630	530	760	120	609	45	1530
315M			457																	216		
315L	508	216	80	22×14	71	600	550	660	$\phi$ 24	628	630	530	760	120	711	45	1650					
355M	355	610	560	254	95	170	25×14	86	28	6	740	680	800	$\phi$ 24	730	715	608	847	120	790	52	1810
355L			630																	254		

3 There is no base and the end cover has flanges (IMB5、IMV1、IMV3)



Frame	Installation Size									Dimensions							
	D	E	F×GD	G	T	M	N	P	S	AC	AD	HE	L				
80	19	40	6×6	15.5	3.5	165	130	200	Φ12	175	150	260	350				
90S	24	50	8×7	20						215	180	250	Φ15	195	160	270	370
90L				24										20	270	395	
100L	28	60		24	4	265	230	300	Φ19					215	180	300	430
112M	38	80	33	245						190	320	450					
132S	38	80	10×6	33						275	210	380	530				
132M	38	80	10×8	33	275	210	380	570									
160M	42	110	12×6	37	300	250	350	Φ19	335	265	450	660					
160L				37					450	705							
180M	48		14×9	42.5					5	400	350	450	Φ19	360	285	490	850
180L		48	42.5	490	890												
200L	55	16×10	49	350	300	400	400	315						550	960		
225S	60	140	16×11	53	400	350	450	Φ19	450	345	610	1050					
225M				53					610	1080							
250M	65		18×11	58					5	500	450	550	Φ19	495	385	650	1200
280S	75	20×12	67.5	6	600	550	660	Φ24	555					410	720	1300	
280M									75					67.5	720	1400	
315S	80	170	22×14						71	600	550	660	Φ24	630	530	760	1530
315M				1580													
315L				1650													
355M	95	25×14	86	6	740	680	800	Φ24	715	608	847	1810					
355L												1840					